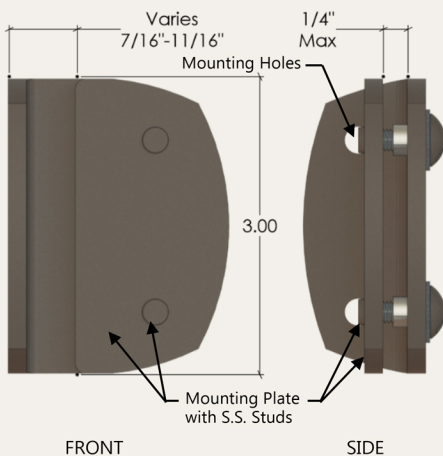
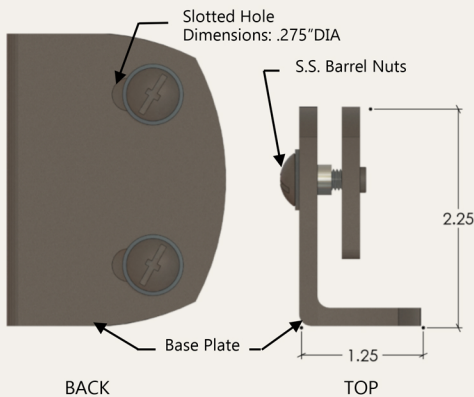
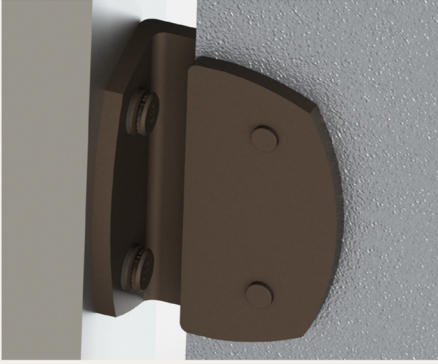


PBI Series Bracket

(inset mount hardware)



Parasoleil's standard hardware integrates engineered connections with an interchangeable design language and known manufacturing tolerances.

BENEFITS & FEATURES

- Universal system hardware with built-in tolerances
- Performance rated for use in standard systems
- 2-sided aesthetic allows for same look on both sides
- Mounting plate allows for 1/8" to 1/4" panel thickness
- Corrosion resistant aluminum and stainless steel construction

SPECIFICATIONS

- 3/16" 5052 Aluminum alloy.
- Stainless steel flush mount 1/2"-20x1/2" long studs
- Stainless steel barrel nuts with EPDM washers

STRUCTURAL RECOMMENDATIONS

- 24" on center max. bracket spacing along panel edges
- Contact Parasoleil for additional guidelines

FINISHES

- Graftone, Nimbus, Raven standard powdercoat finishes
- Anodized finishes may be available
- Custom finishes available

Parasoleil

303.589.4524

hello@parasoleil.com

parasoleil.com

All Parasoleil patterns are protected under copyright © law. Copying, modifying, or any unauthorized use of these patterns is strictly prohibited.

QUESTIONS?

Contact Parasoleil for complete specifications, installation requirements and warranty coverage.